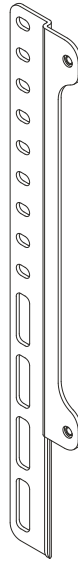
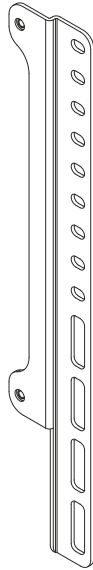

INSTALLATION INSTRUCTIONS



Flat Panel Adapter

DISCLAIMER

Legrand | AV and its affiliated corporations and subsidiaries (collectively "Legrand | AV"), intend to make this manual accurate and complete. However, Legrand | AV makes no claim that the information contained herein covers all details, conditions or variations, nor does it provide for every possible contingency in connection with the installation or use of this product. The information contained in this document is subject to change without notice or obligation of any kind. Legrand | AV makes no representation of warranty, expressed or implied, regarding the information contained herein. Legrand | AV assumes no responsibility for accuracy, completeness or sufficiency of the information contained in this document.

Chief® is a registered trademark of Legrand AV Inc.

DEFINITIONS

MOUNTING SYSTEM: A MOUNTING SYSTEM is the primary Chief product to which an accessory and/or component is attached.

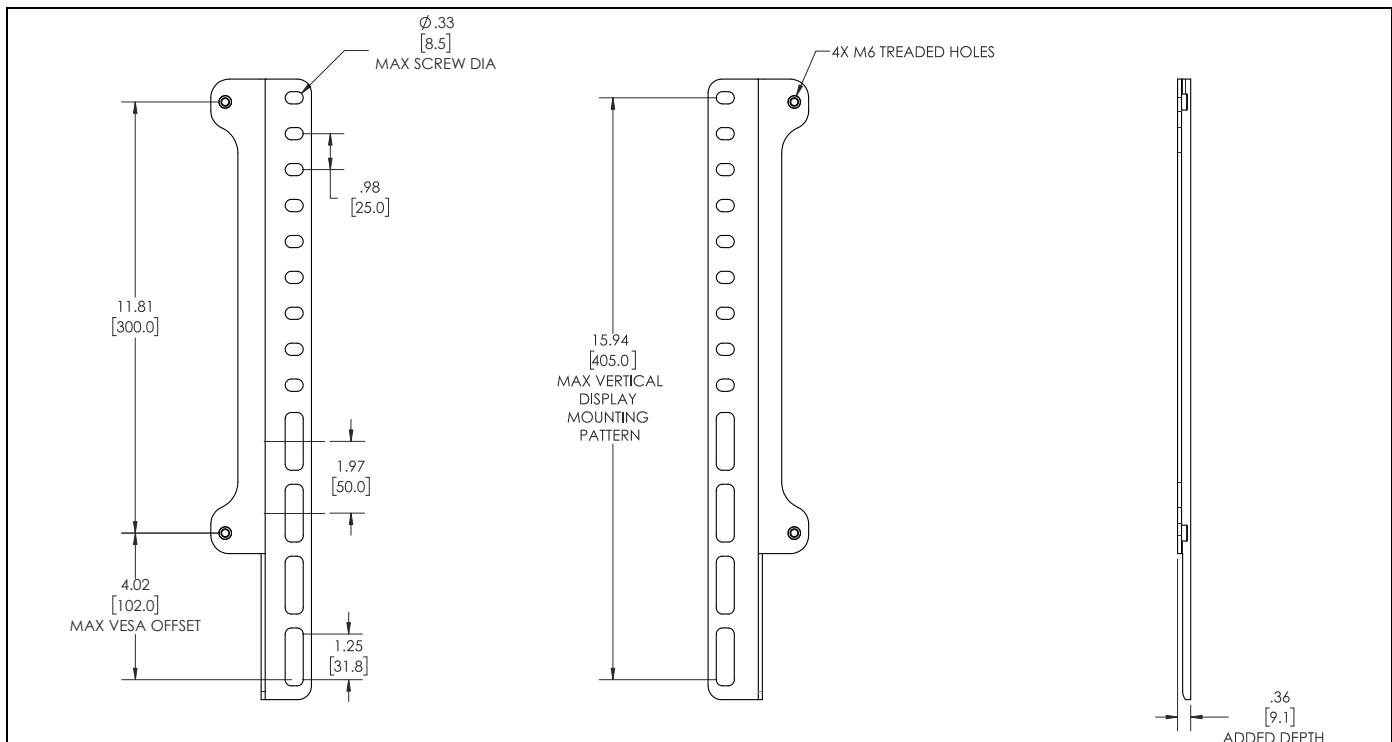
ACCESSORY: AN ACCESSORY is the secondary Chief product which is attached to a primary Chief product, and may have a component attached or setting on it.

COMPONENT: A COMPONENT is an audiovisual item designed to be attached or resting on an accessory or mounting system such as a video camera, CPU, screen, display, projector, etc.

WARNING: A WARNING alerts you to the possibility of serious injury or death if you do not follow the instructions.

CAUTION: A CAUTION alerts you to the possibility of damage or destruction of equipment if you do not follow the corresponding instructions.

DIMENSIONS



IMPORTANT SAFETY INSTRUCTIONS

WARNING: Failure to read, thoroughly understand, and follow all instructions can result in serious personal injury, damage to equipment, or voiding of factory warranty! It is the installer's responsibility to make sure all components are properly assembled and installed using the instructions provided.

WARNING: Exceeding the weight capacity can result in serious personal injury or damage to equipment! It is the installer's responsibility to make sure the combined weight of all components attached to the FHB-5149 accessory does not exceed the weight capacity of the mount to which it is attached.

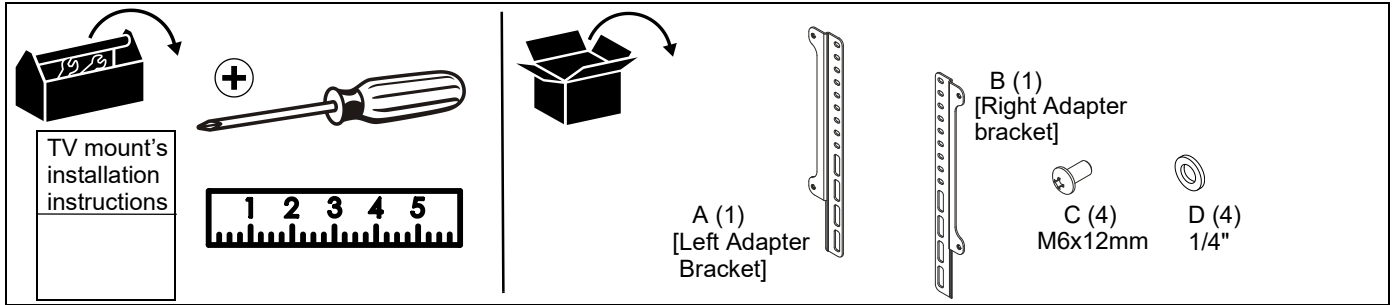
WARNING: Use this accessory only for its intended use as described in these instructions. Do not use attachments not recommended by the manufacturer.

WARNING: Never operate this accessory if it is damaged. Return the accessory to a service center for examination and repair.

WARNING: Do not use this product outdoors.

--SAVE THESE INSTRUCTIONS--

TOOLS / PARTS FOR INSTALLATION



ASSEMBLY AND INSTALLATION

NOTE: The FHB-5149 is designed to be used with any Chief® mount with flat upright brackets to add an offset up to 4" (100mm) from non-centered VESA patterns. It CANNOT be used with mounts using mounting buttons.

1. Install mount to wall following mount's installation instruction up to the point of installing the display to the mount.
2. Use hardware supplied with Chief® mount to attach adapter brackets (A and B) to back of display. Follow guidelines in mount's installation instruction regarding hardware selection. (See Figure 1) or (See Figure 2)

IMPORTANT ! : For TV hole patterns WIDER than 500mm (19 11/16"), tabs point toward each other. (See Figure 1) For TV hole patterns 500mm (19 11/16") or less, tabs point away from each other. (See Figure 2)

IMPORTANT ! : For high hole patterns, brackets must be flipped vertically. (See Figure 2)

NOTE: Center line between bracket tabs should align close to center line of display. (See Figure 1) and (See Figure 2)

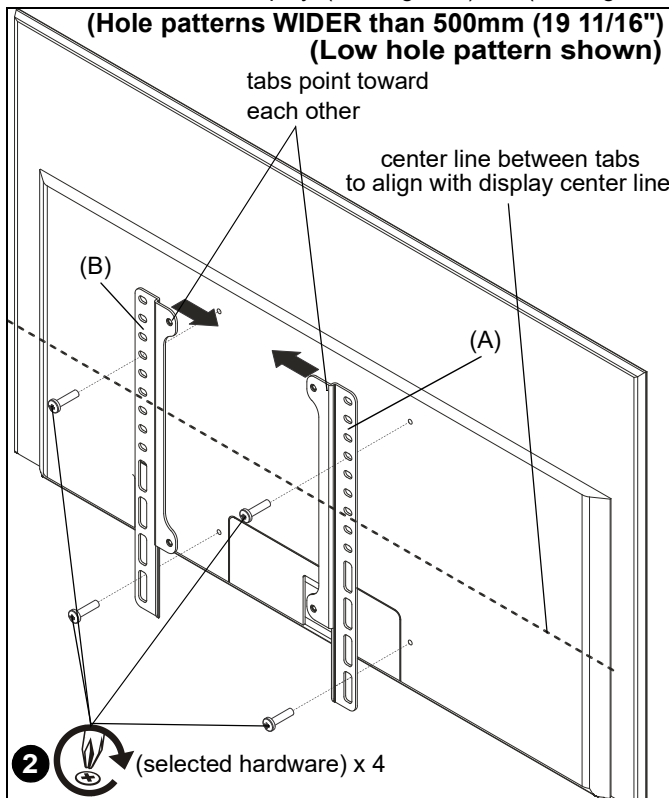


Figure 1

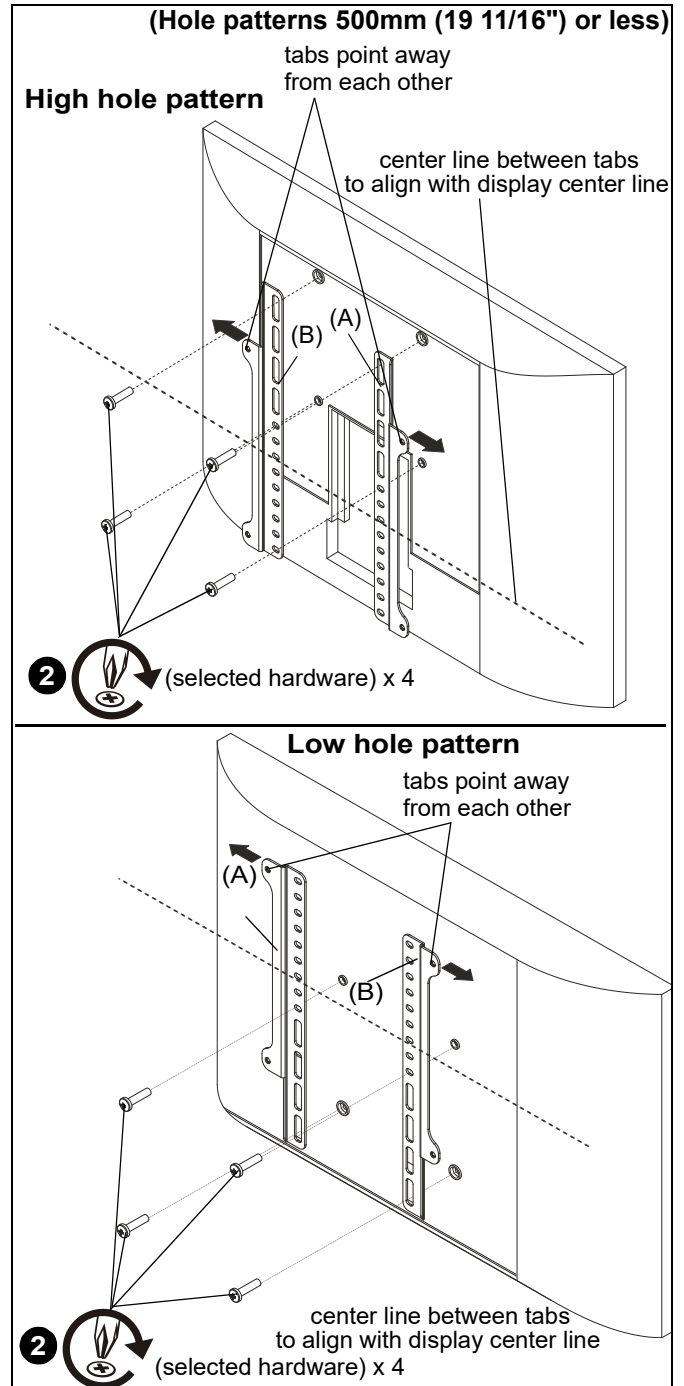


Figure 2

- Use four M6 x 12mm Phillips pan machine screws (C) and four 1/4" washers (D) to secure mount's interface brackets to adapter brackets (A and B). (See Figure 3) and (See Figure 4) for examples.

NOTE: Some models will need to have interface brackets assembled prior to connection to brackets. (See Figure 4)

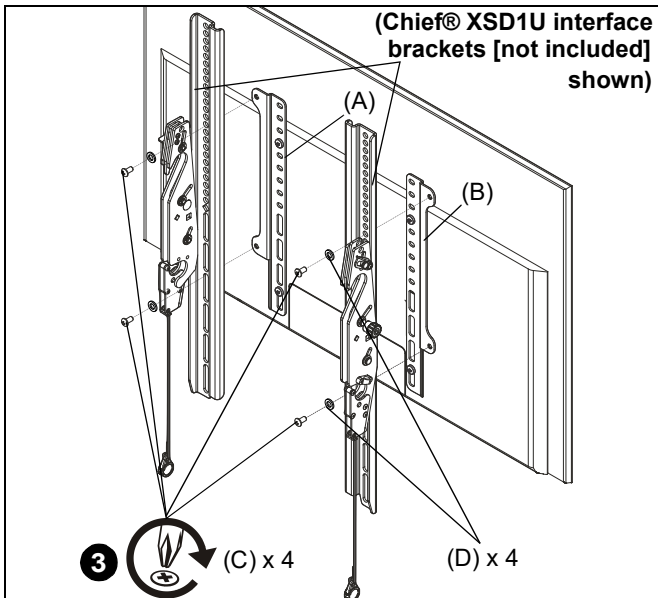


Figure 3

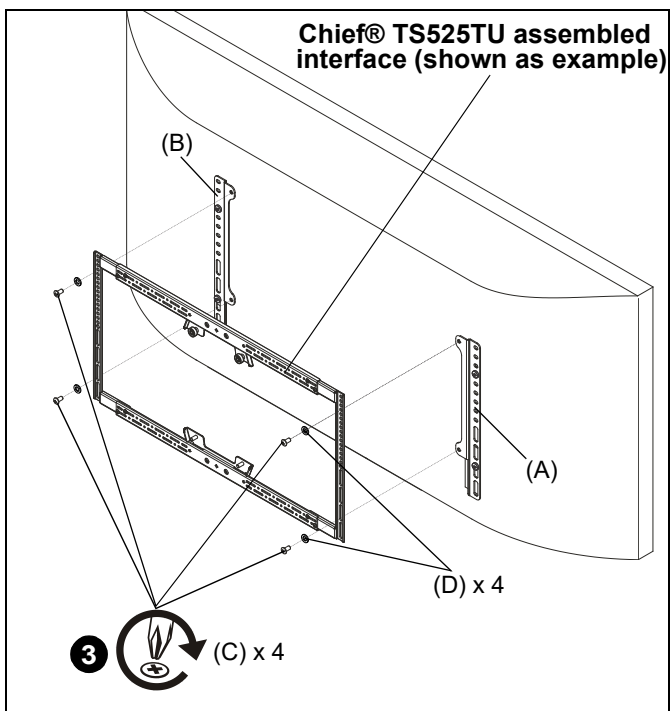


Figure 4

- Complete the installation following the mount installation instructions.



A brand of  **legrand**

8800-003188 Rev01
©2020 Legrand | AV
www.legrandav.com
05/20

USA/International	A 6436 City West Parkway, Eden Prairie, MN 55344 P 800.582.6480 / 952.225.6000 F 877.894.6918 / 952.894.6918
Europe	A Franklinstraat 14, 6003 DK Weert, Netherlands P +31 (0) 495 580 852 F +31 (0) 495 580 845
Asia Pacific	A Office No. 918 on 9/F, Shatin Galleria 18-24 Shan Mei Street Fotan, Shatin, Hong Kong P 852 2145 4099 F 852 2145 4477

